

Figure 1

PRIOR ART

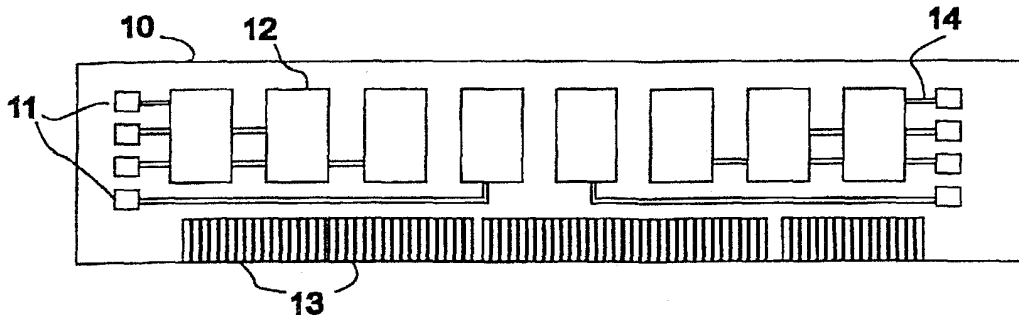


Figure 2

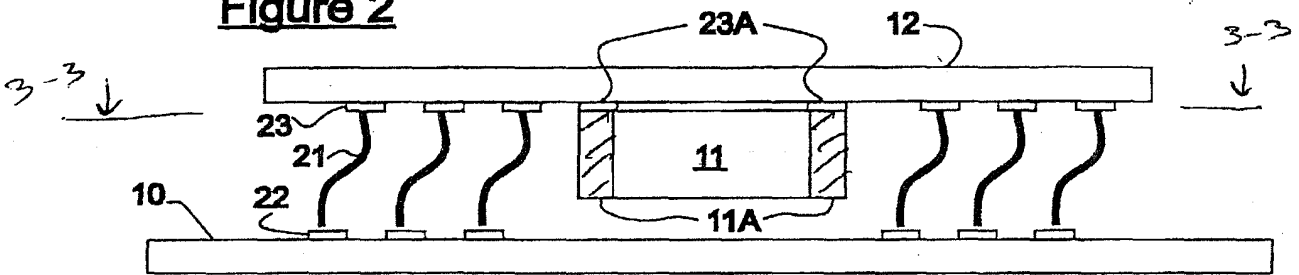
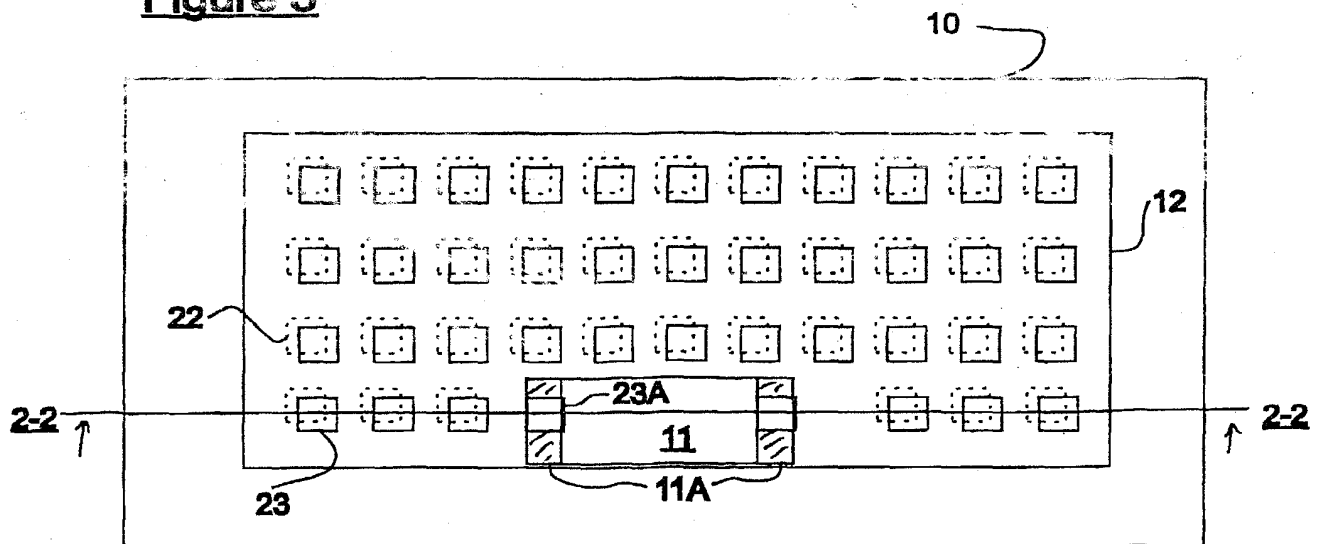


Figure 3



FOOTPRINT 660

Figure 4A

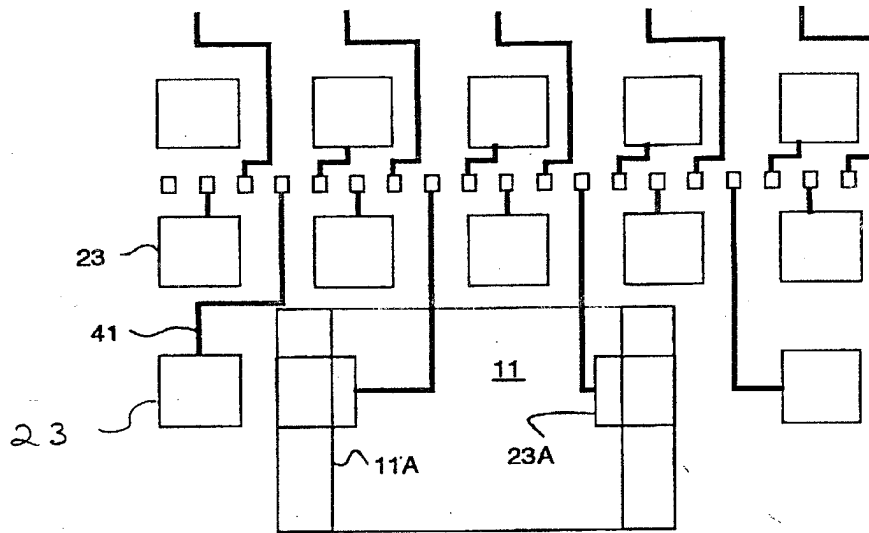


Figure 7A

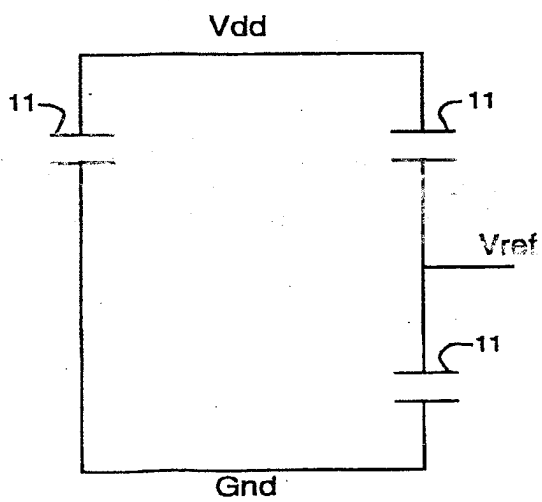
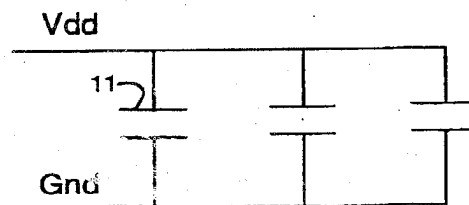
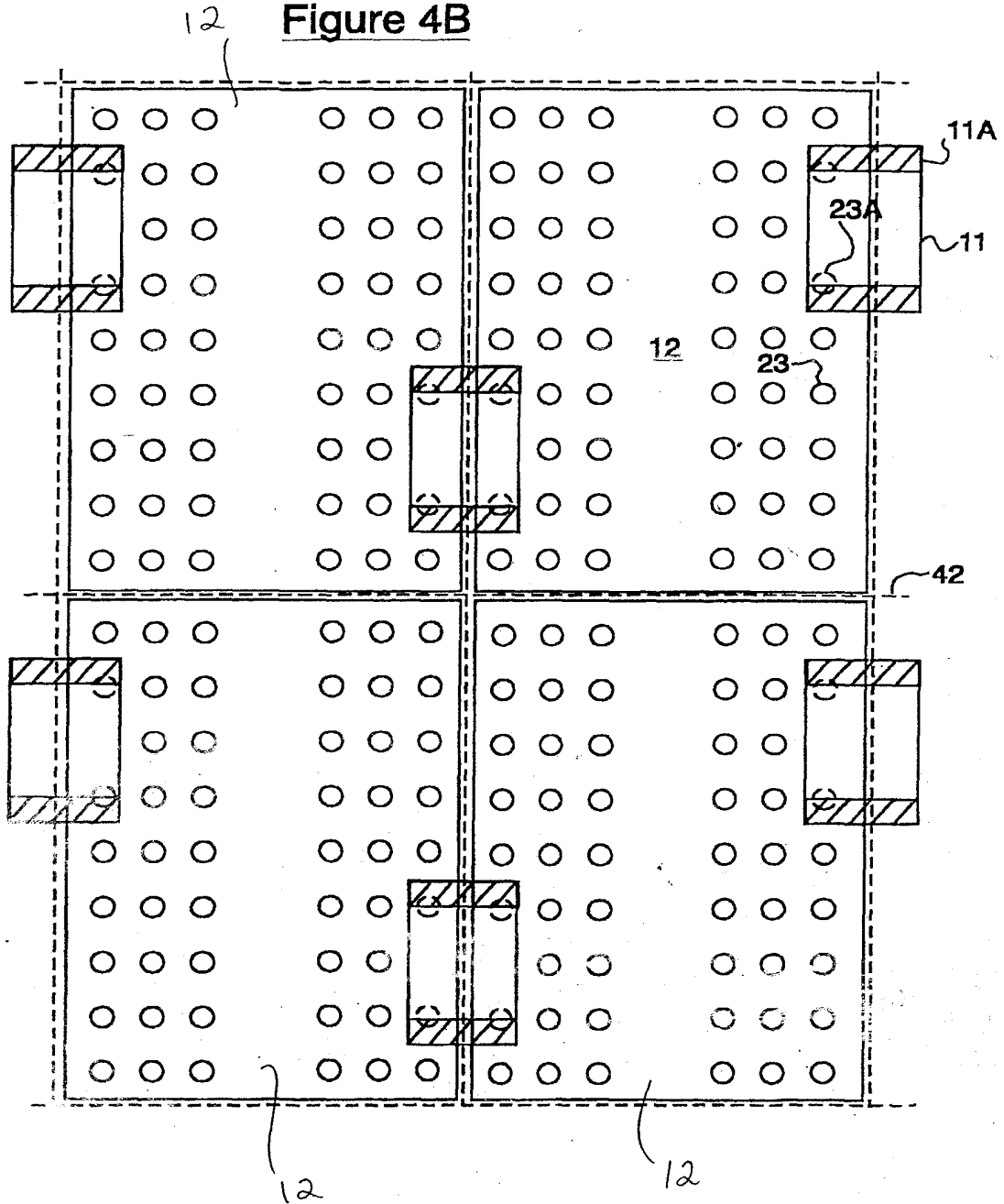


Figure 7B



P64C1-US ELECTRONIC ELEMENT OVERLAPPING DICE OF UNSINGULATED SEMICONDUCTOR WAFER Express Mail No. EL 438390712US Sheet 2 of 18

Figure 4B



FOOTPRINT FAB 660

Figure 5

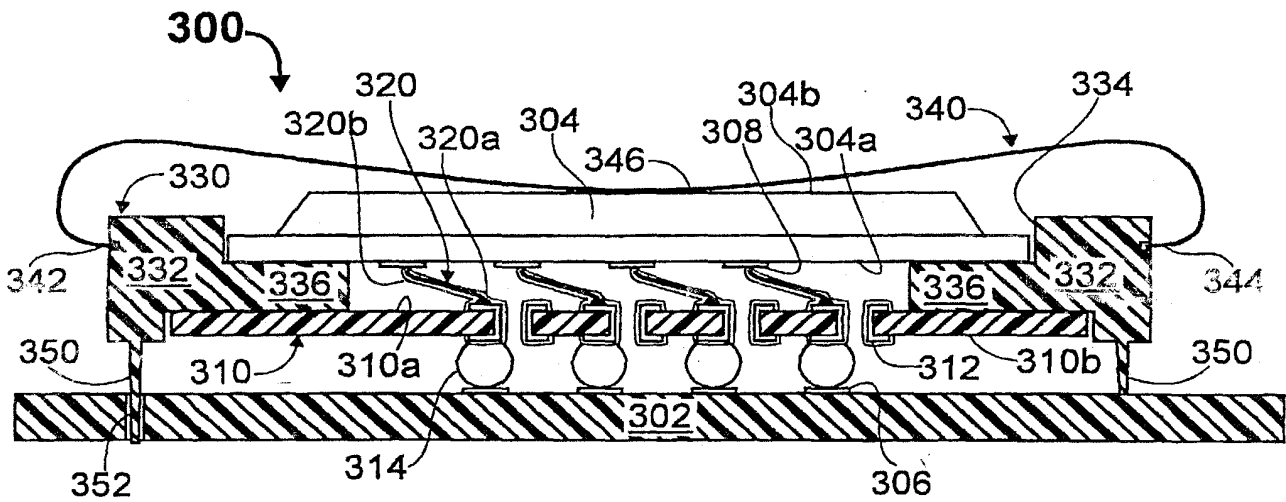
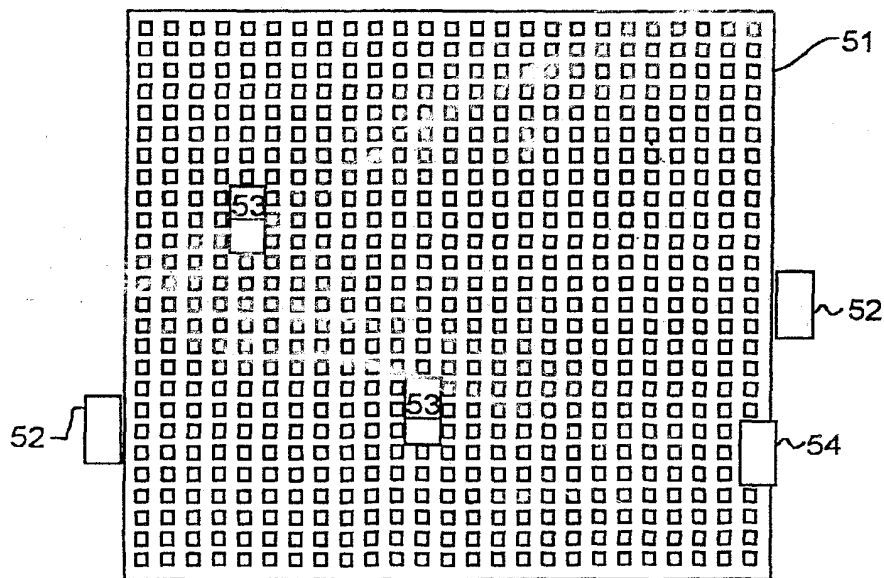


Figure 6



FOOT-861660

FIG. 8A

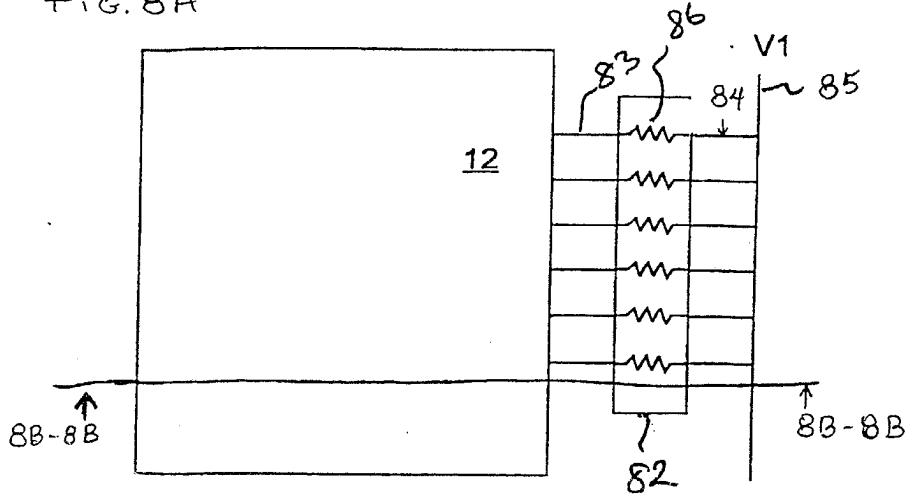


Figure 8B

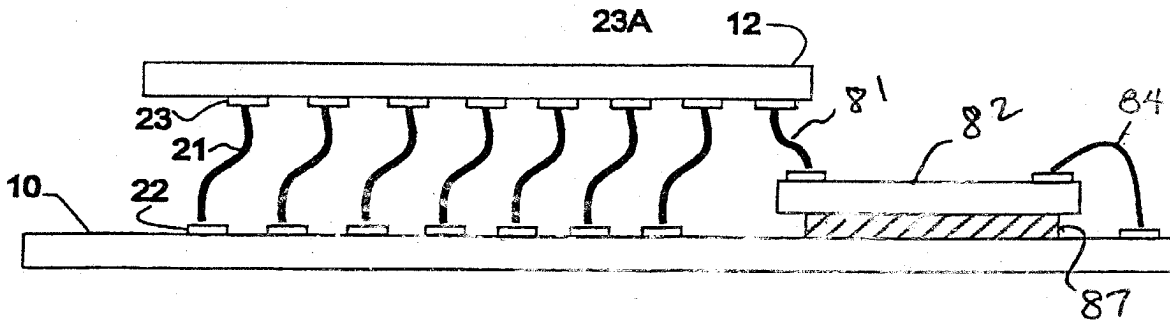


FIG. 8A

FIG. 9A

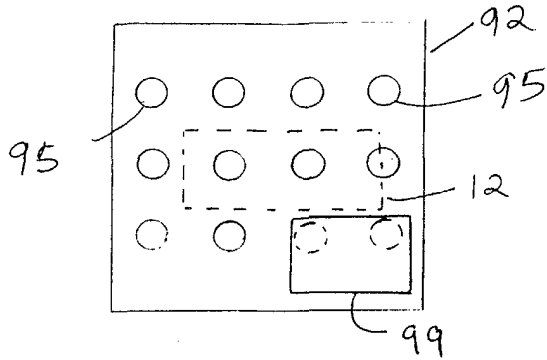


FIG. 9B

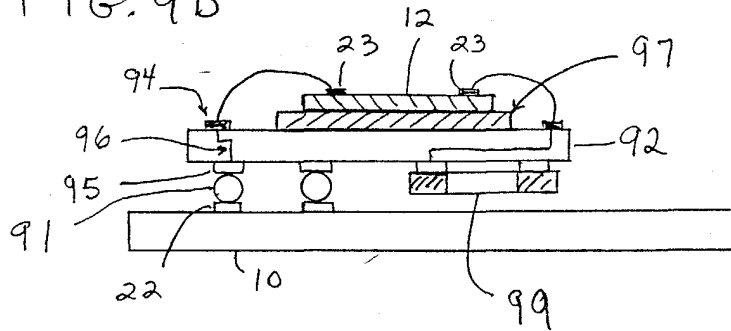


FIG. 10

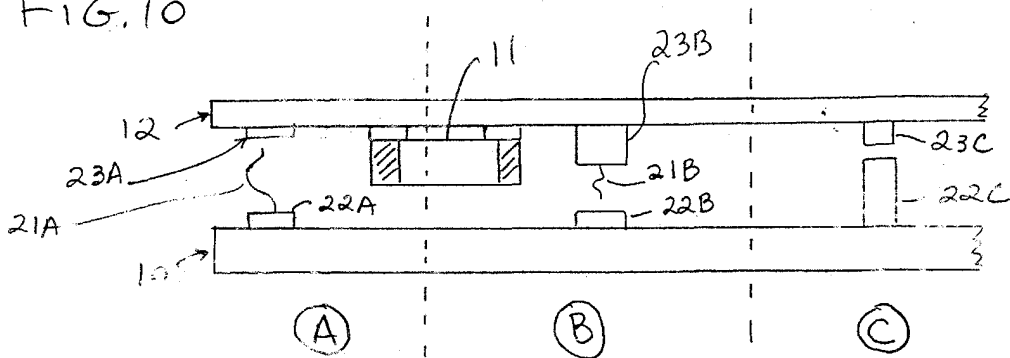
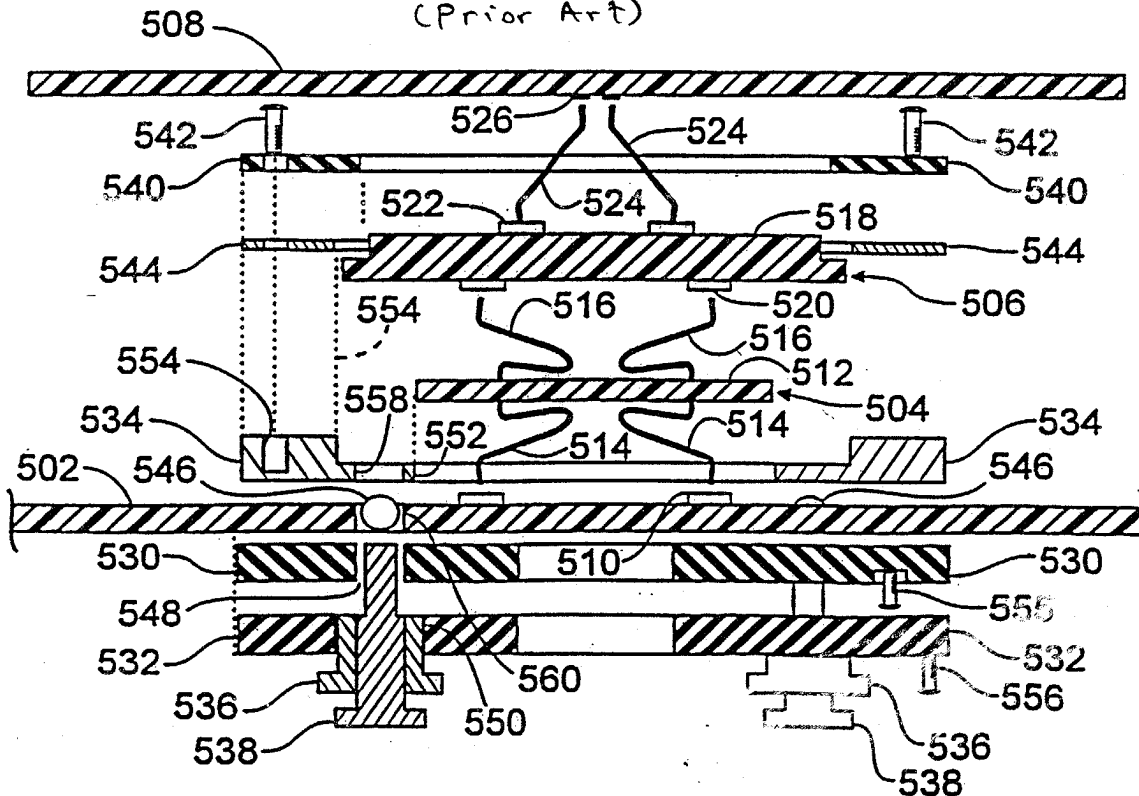


FIG. 9A

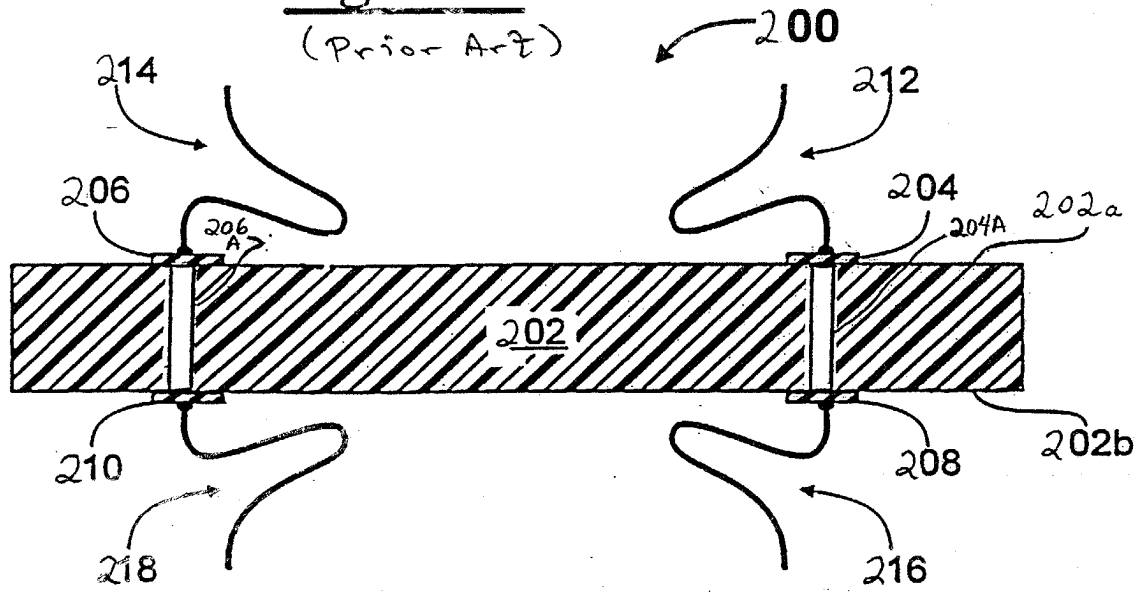
Figure 11
(Prior Art)

500



FOR PGT 7867650

Figure 12 A
(Prior Art)



FOOTPRINT

FIG. 12B (Prior Art)

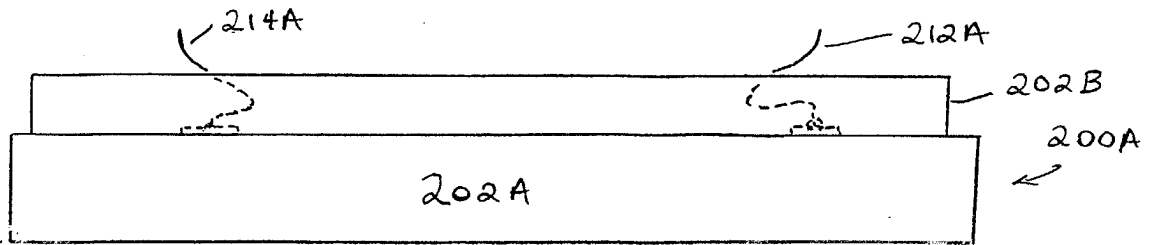
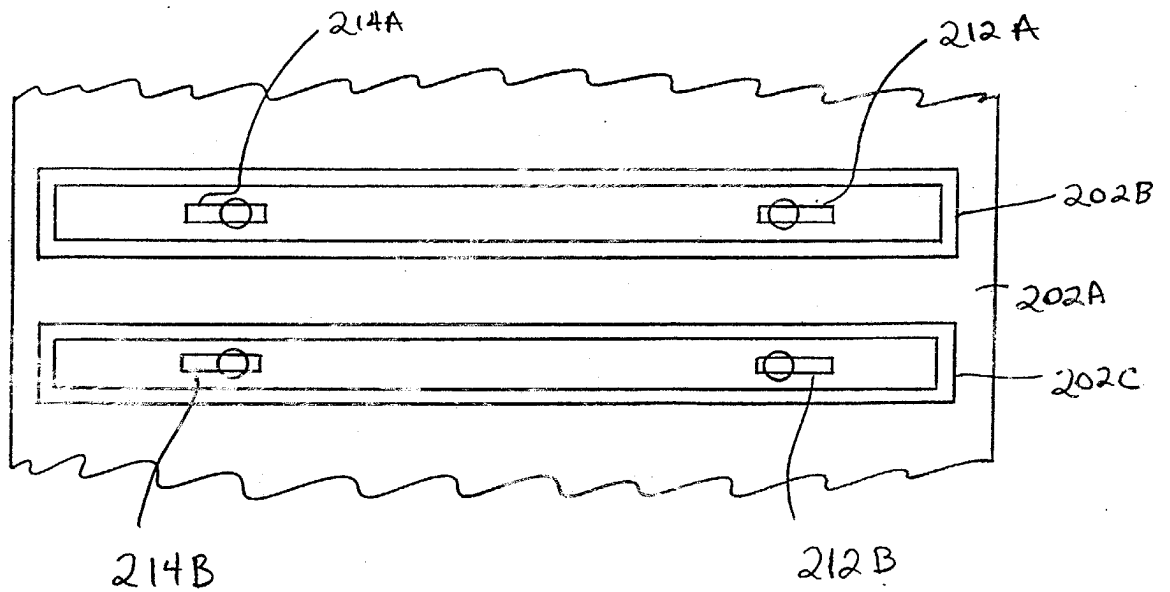


FIG. 12C (Prior Art)



FOOT-1367460

Figure 13 A (Prior Art)

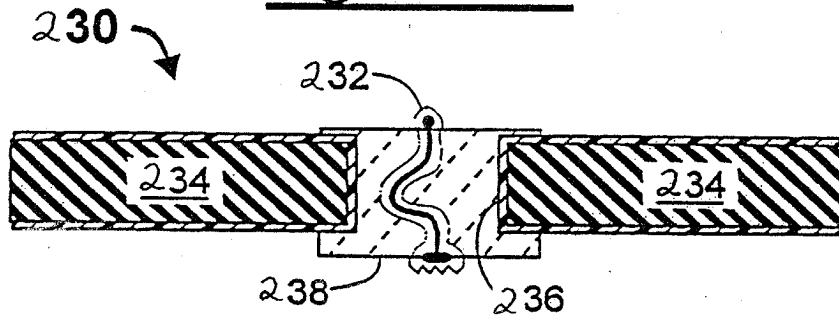


FIGURE 13A

FOOTPRINT: F86F4660

Figure 13 B (Prior Art)

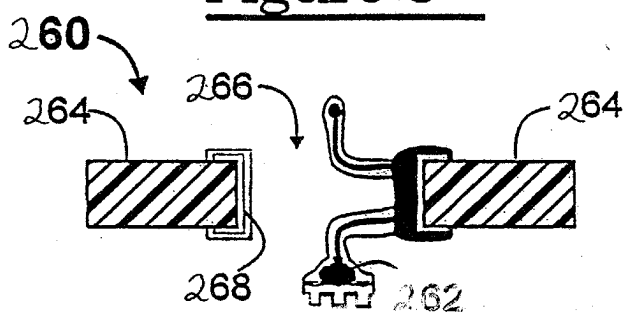


FIG. 14 (Prior Art)

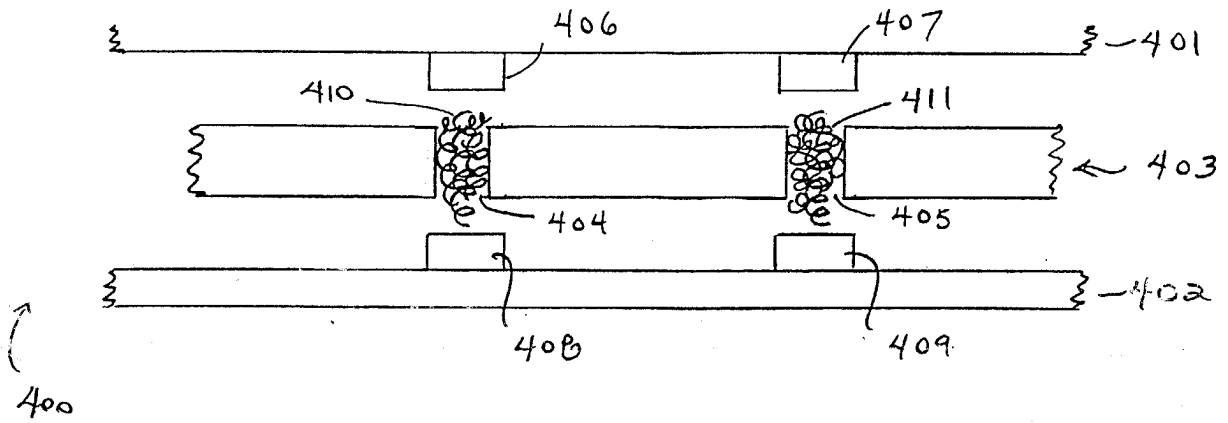


PHOTO REPRODUCED

Figure 15A

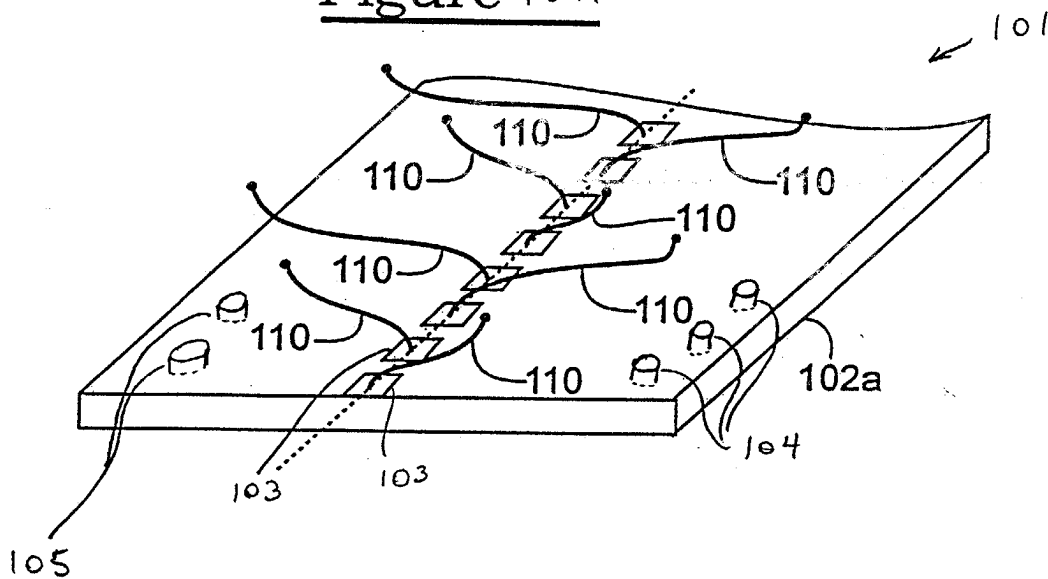
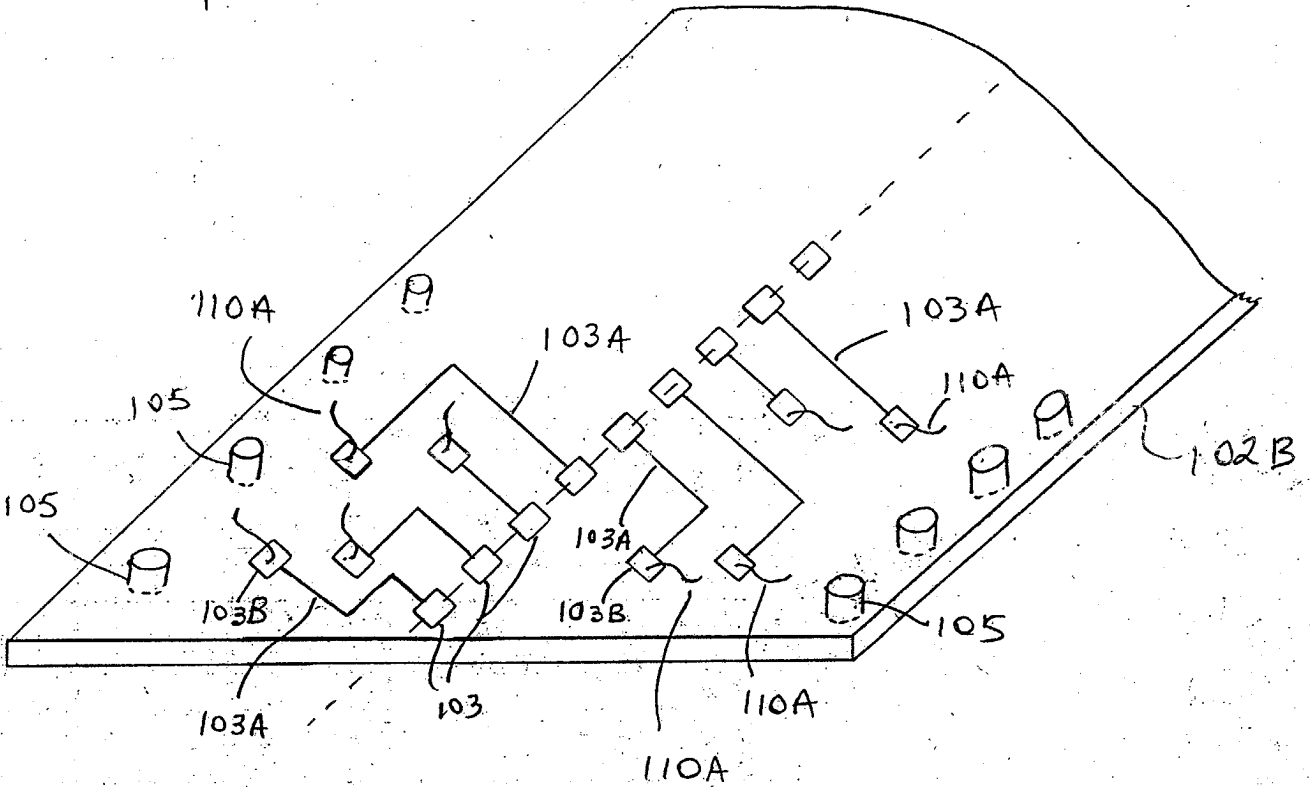


FIG. 15A

FIG. 15B



FOOTPRINT 130F600

FIG. 16 A

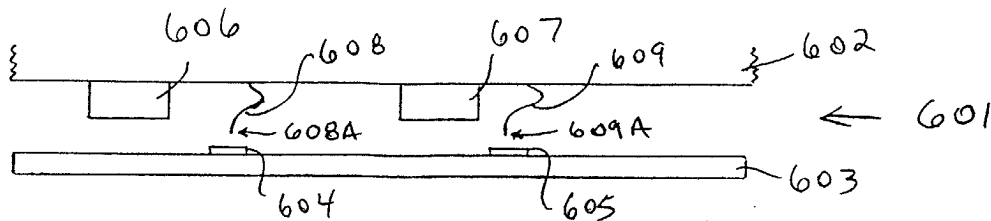


FIG. 16 B

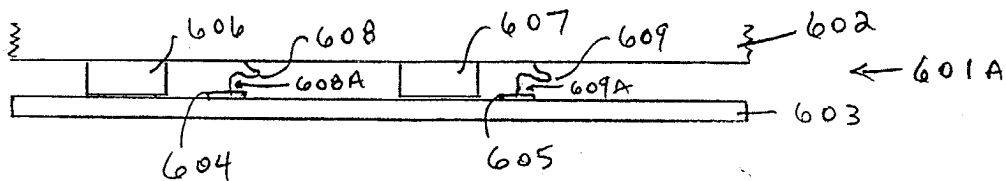
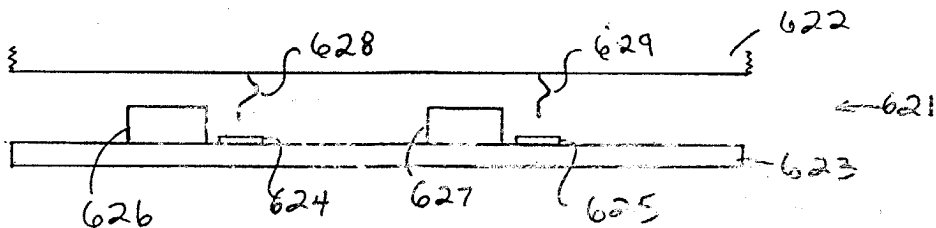


FIG. 17



FOOT-7807-680

FIG. 16C

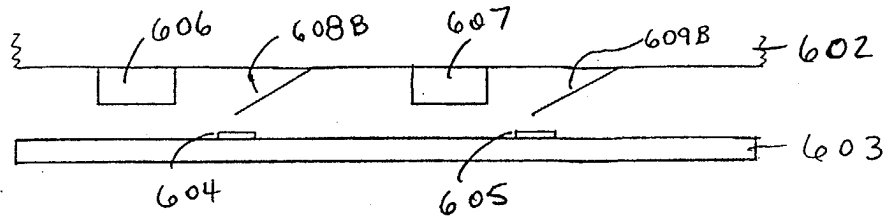
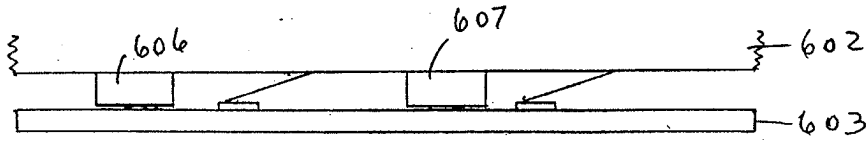


FIG. 16D



FOOTPRINT 78872600

FIG. 18 A

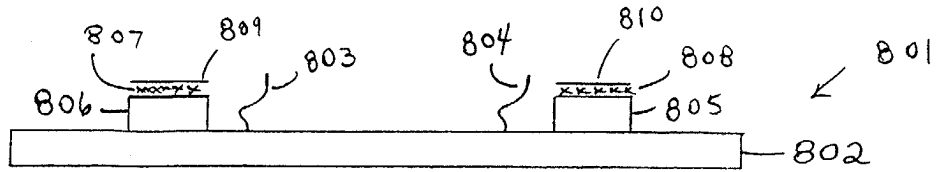
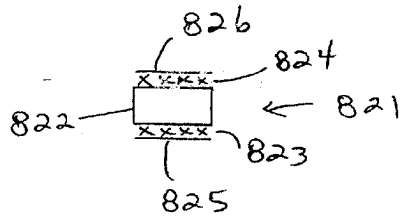


FIG. 18 B



PHOTOCOPIED

FIG. 19

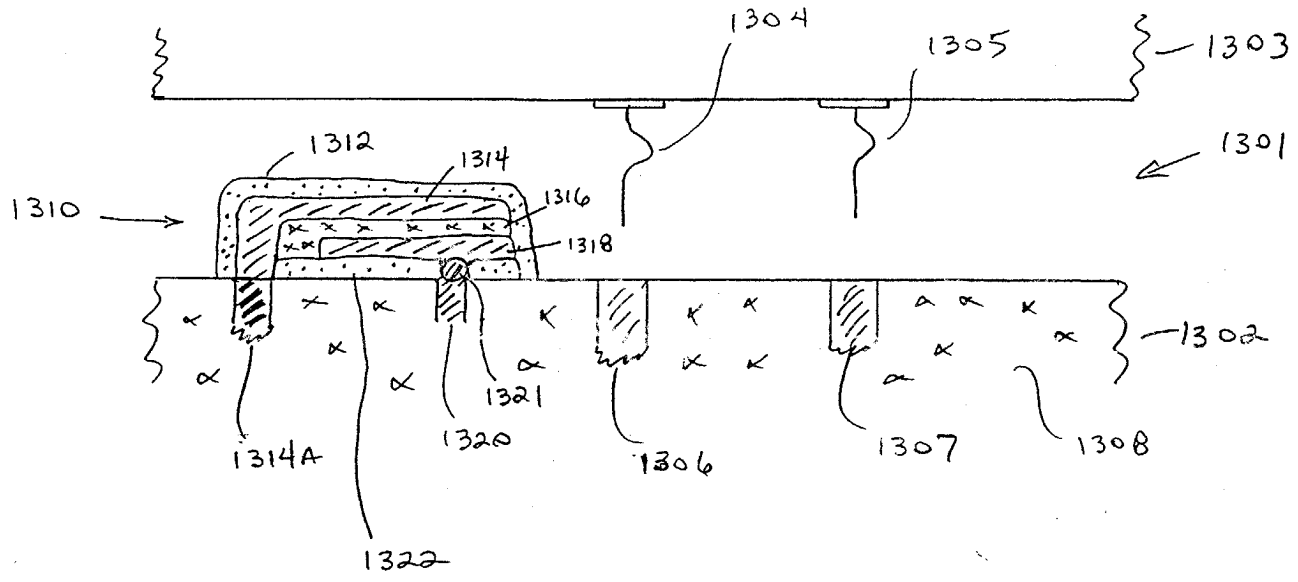
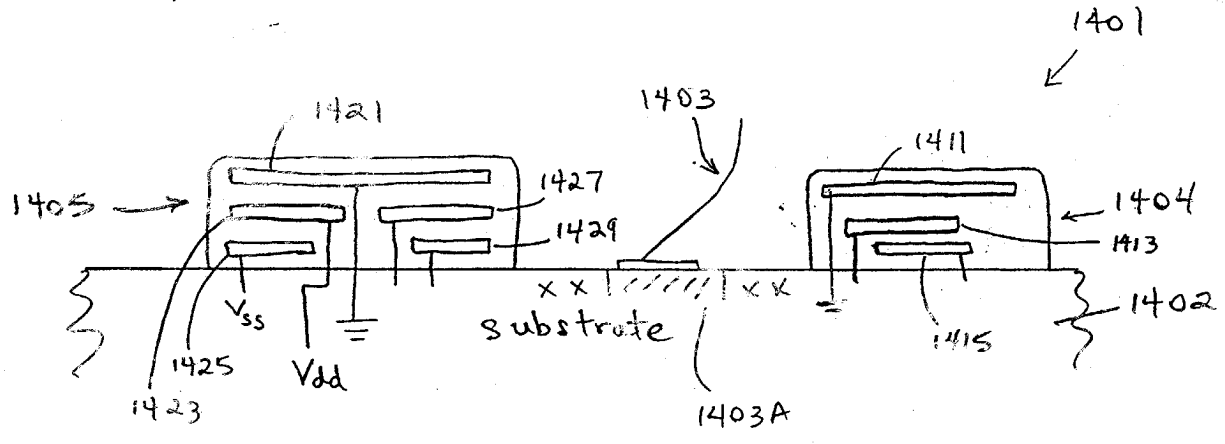


FIG. 20



FOOT-786F4660